




Light support & Diving Vessel

GENERAL

Vessel type	Multi Purpose Vessel (MPV)
Year of built	1990
Flag	French
Homeport	Brest 
Material	Polyester barge
Mission type	Mooring handling, Diving & survey support, MRE and military sea trials...
Specificity	<ul style="list-style-type: none"> ✓ Low draft ✓ High manoeuvrability
Navigation	4^{ième} catégorie

MAIN DIMENSIONS

Lenght OA	19,40 m
Beam	6,00 m
Max draft	1,00 m
Gross tonnage	25,86 Tx
Clear deck area	70 m²
Deck loading capacity	20 t



DETAILED SPECIFICATIONS

NAVIGATION SYSTEMS

Compass	Kannad 406 Auto
DGPS Navigator	Geonav Multi
AIS	AIS-CTRX
Radar	Furuno M1715
VHF	Navicom RT 450 DSC RO 4500

PERFORMANCES

Speed	7 Nds
Max speed	9 Nds

PROPULSION

Main Engines	1 x Fiat Iveco 8061 SH 05
Total Power	147 kW
Propellers	2 x 600mm Hydraulic thrusters

AUXILIARIES

Electricity on deck	220 V
Total E-Power	4 kW

TANKS

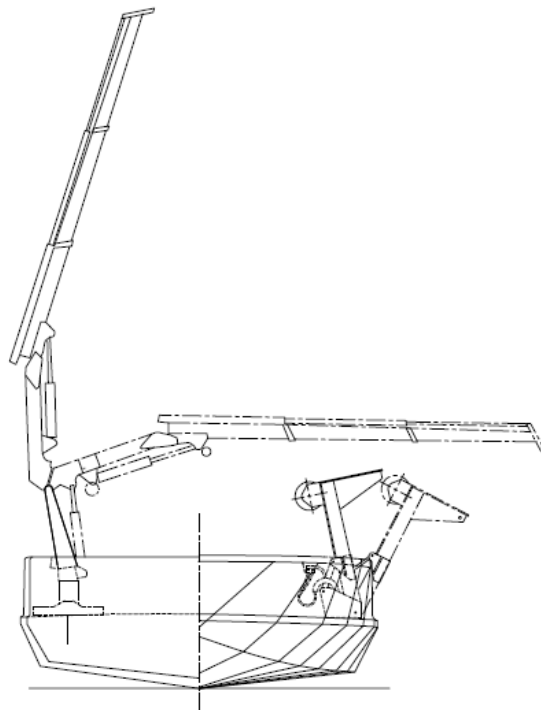
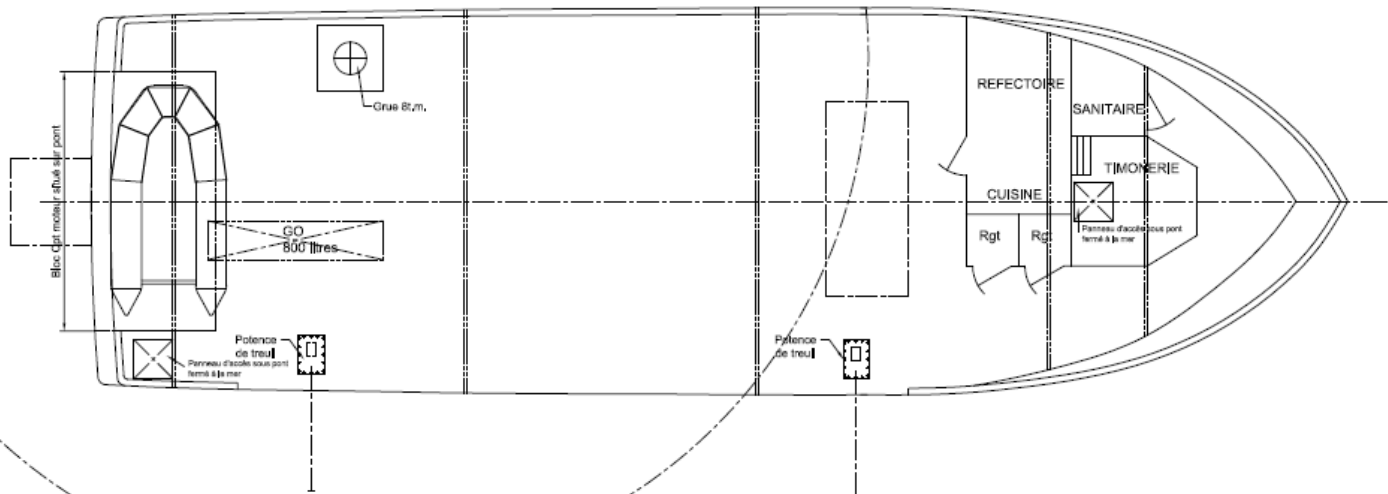
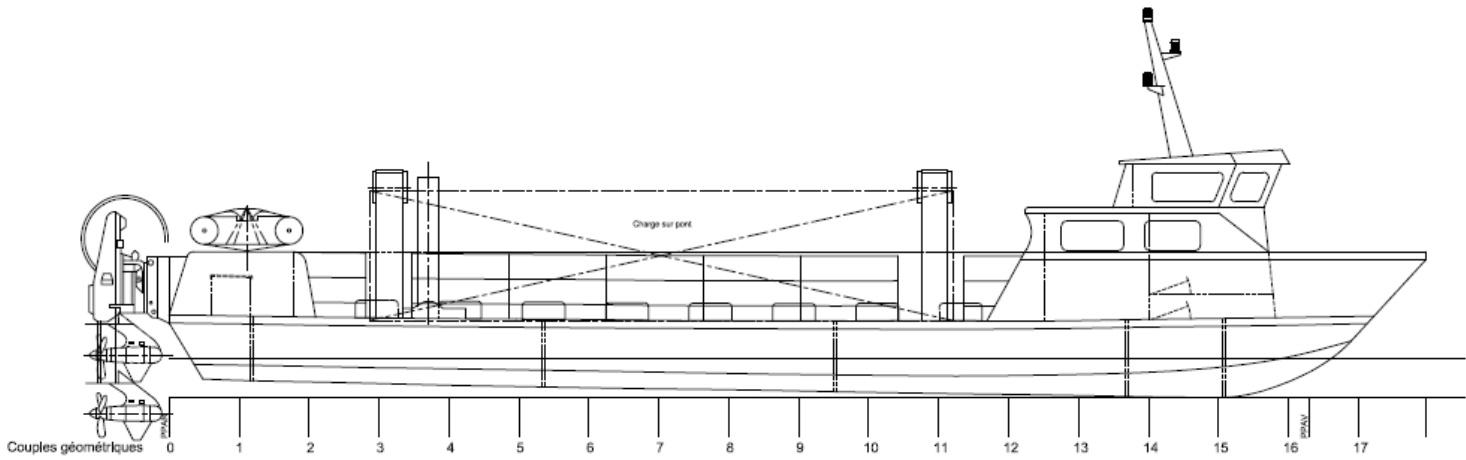
Fuel Oil	800 L
----------	-------

DECK LAYOUT

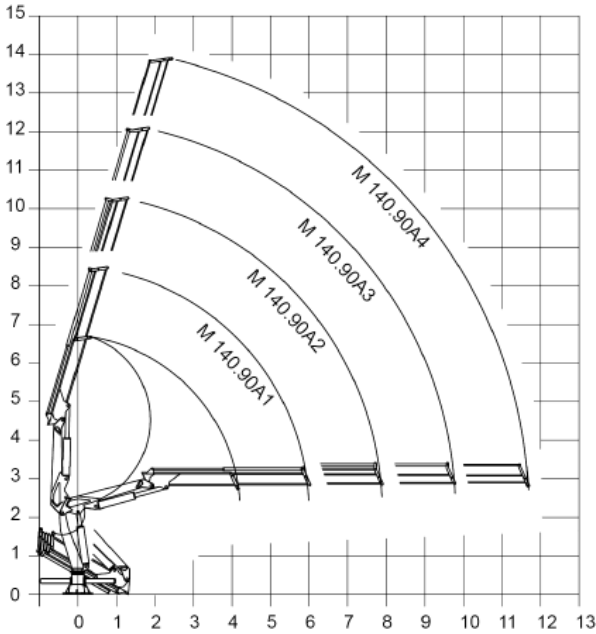
Winch	1,5 tons
Ship crane	GUERRA M140.90A 1,9 t @ 6,2 m / 0,9 t @ 11,6m

PERSON ONBOARD

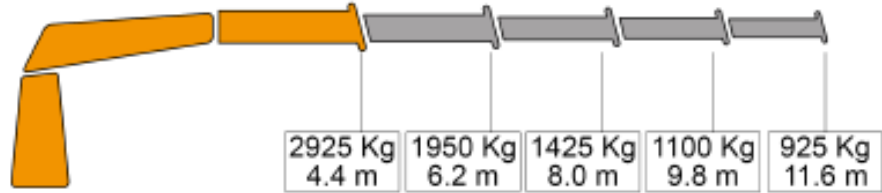
Persons	6
---------	---



CRANE SPECIFICATIONS



M 140.90 A4



THOMAS SERVICES MARITIMES
 14 Rue Amiral Nielly,
 29260 BREST, FRANCE
<http://www.tsmgroup.eu/>

For further information contact:

OFFSHORE DEPARTMENT
chartering@tsmgroup.eu
 Tel : +33 6 48 16 45 95

